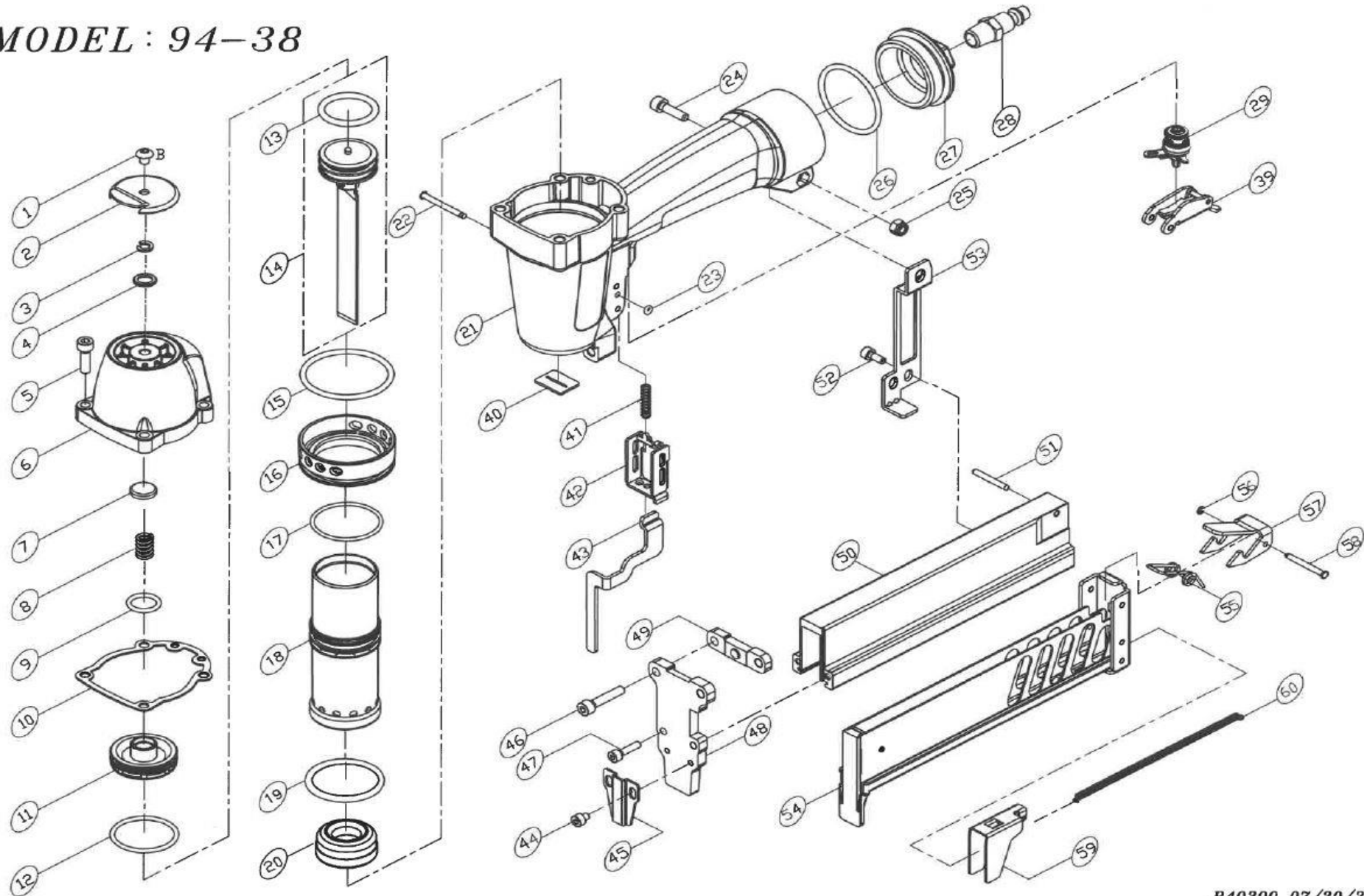


<b>MAQUINA</b>	<b>DESCRIPCION</b>
QCG9438	GRAPADORA CORGRAP 94-38

<b>DESDE FECHA</b>	20/07/12
<b>HASTA FECHA</b>	31/12/2099

**MODEL : 94-38**





MAQUINA	DESCRIPCION	DESDE FECHA	20/07/2012
QCG9438	GRAPADORA CORGRAP 94-38	HASTA FECHA	31/12/2099

RECAMBIO	DESCRIPCION	CANTIDAD	POSICION
RTUS05080B06 (1)	TORNILLO US05080B-06	1	1
RT13900703 (10)	JUNTA 13900703	1	10
RT13900801A (11)	VÁLVULA 13900801A	1	11
RTOR31824N (12)	ANILLO TÓRICO OR31824N	1	12
RTOR25735N (13)	ANILLO TÓRICO OR25735N	1	13
RT40300701A (14)	CUCHILLA 40300701A	1	14
RTOR44431N (15)	ANILLO TÓRICO OR44431N	1	15
RT13901903 (16)	COLLAR 13901903	1	16
RTOR3502ON (17)	ANILLO TÓRICO OR3502ON	1	17
RT13301901 (18)	CAMISA 13301901	1	18
RTOR35735N (19)	ANILLO TÓRICO OR35735N	1	19
RTSW0500W (2)	ARANDELA SW0500W	1	2
RT13902001 (20)	TOPE 13902001	1	20
RT11102311 (21)	CUERPO 11102311	1	21
RT11103201 (22)	PASADOR 11103201	1	22
RTOR01919N (23)	ANILLO TÓRICO OR01919N	1	23
RTHS05080B16 (24)	PERNO HS05080B-16	1	24
RTLN0500N (25)	TUERCA LN0500N	1	25
RTOR40030N (26)	ANILLO TÓRICO OR40030N	1	26
RT11106601 (27)	TAPA 11106601	1	27
RT12106401 (28)	ENTRADA AIRE 12106401	1	28
RT11006904A (29)	VÁLVULA 11006904A	1	29
RT12103301 (3)	TOPE 12103301	1	3
RT13904503A (39)	GATILLO 13904503A	1	39
RT13108001 (4)	DEFLECTOR 13108001	1	4
RT40300801 (40)	GUÍA 40300801	1	40
RT11002601 (41)	MUELLE 11002601	1	41



<b>MAQUINA</b>	<b>DESCRIPCION</b>	<b>DESDE FECHA</b>	<b>20/07/2012</b>
QCG9438	GRAPADORA CORGRAP 94-38	<b>HASTA FECHA</b>	31/12/2099

<b>RECAMBIO</b>	<b>DESCRIPCION</b>	<b>CANTIDAD</b>	<b>POSICION</b>
RT11002702 (42)	GUÍA 11002702	1	42
RT40300501 (43)	SEGURO 40300501	1	43
RTHS04070B05 (44)	PERNO HS04070B-05	1	44
RT11604201 (45)	GUÍA 11604201	1	45
RTHS05080B22 (46)	TORNILLO HS05080B-22	1	46
RTHS04070B16 (47)	PERNO HS04070B-16	1	47
RT40300101 (48)	GUÍA 40300101	1	48
RT40300901 (49)	GUÍA 40300901	1	49
RTHS05080B20 (5)	PERNO HS05080B-20	1	5
RT40300201 (50)	CARGADOR 40300201	1	50
RT11305502 (51)	PASADOR 11305502	1	51
RTHS04070B10 (52)	TORNILLO HS04070B-10	1	52
RT12706901 (53)	SOPORTE 12706901	1	53
RT40300301A (54)	CARGADOR 40300301A	1	54
RT11306001 (55)	MUELLE 11306001	1	55
RTER0250R (56)	CER-CLIP ER0250R	1	56
RT11606101 (57)	CIERRE 11606101	1	57
RT11605701 (58)	PASADOR 11605701	1	58
RT40300601 (59)	EMPUJADOR 40300601	1	59
RT13900304 (6)	CABEZAL 13900304	1	6
RT11605401 (60)	MUELLE 11605401	1	60
RT12100401 (7)	JUNTA 12100401	1	7
RT12100501 (8)	MUELLE 12100501	1	8
RTOR13824N (9)	ANILLO TÓRICO OR13824N	1	9