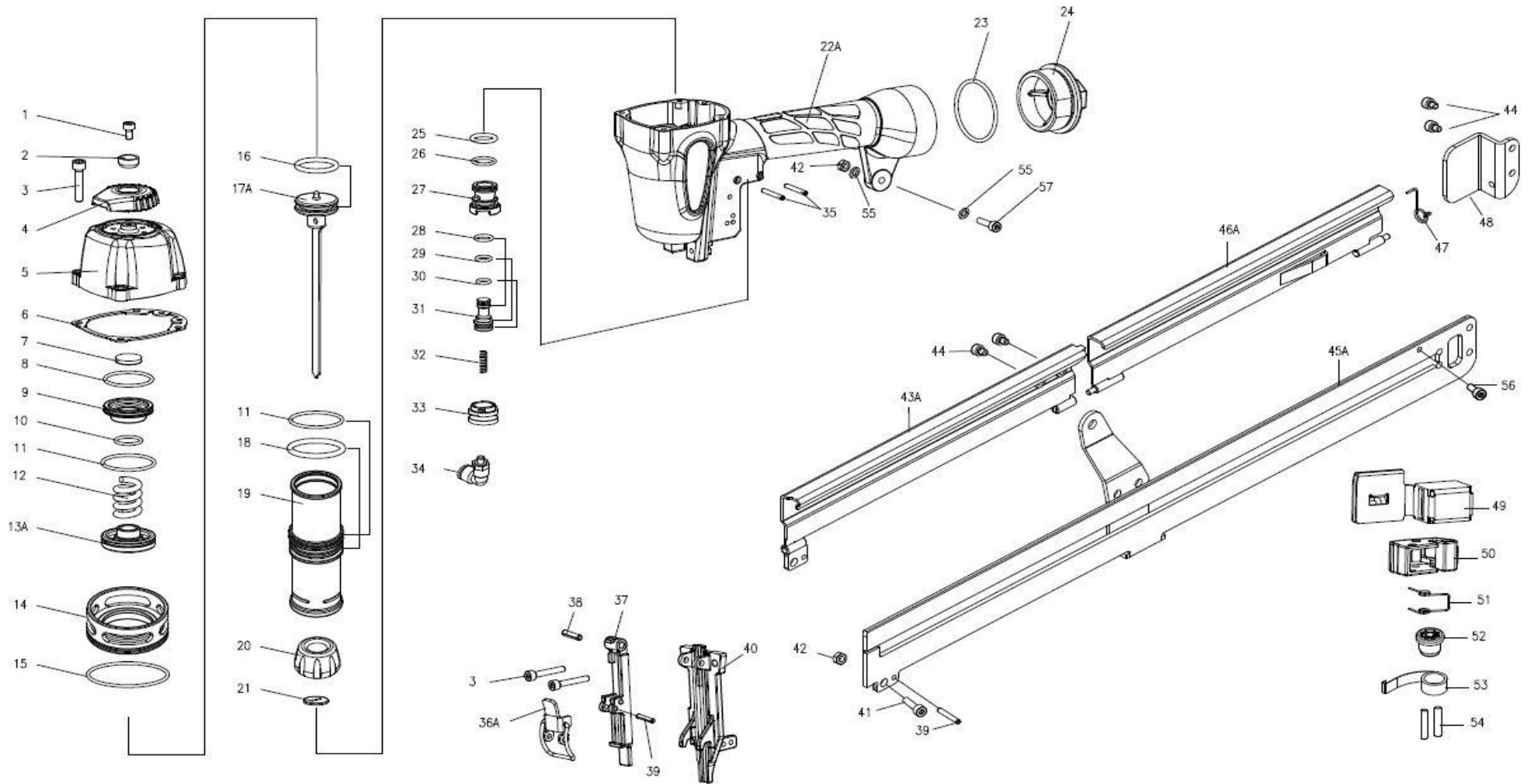


| MAQUINA      | DESCRIPCION                    |
|--------------|--------------------------------|
| QCGSF9040LM3 | GRAPADORA CORGRAP SF 90-40 LM3 |

| DESDE FECHA | 17/02/17   |
|-------------|------------|
| HASTA FECHA | 31/12/2099 |





| MAQUINA      | DESCRIPCION                    | DESDE FECHA | 17/02/2017 |
|--------------|--------------------------------|-------------|------------|
| QCGSF9040LM3 | GRAPADORA CORGRAP SF 90-40 LM3 | HASTA FECHA | 31/12/2099 |

| RECAMBIO            | DESCRIPCION               | CANTIDAD | POSICION |
|---------------------|---------------------------|----------|----------|
| RT30104080566 (1)   | TORNILLO 30104080566      | 1        | 1        |
| RT30700125000 (10)  | ANILLO TÓRICO 30700125000 | 1        | 10       |
| RT30700120000 (11)  | ANILLO TÓRICO 30700120000 | 2        | 11       |
| RT21030160000 (12)  | MUELLE 21030160000        | 1        | 12       |
| RT21030151316 (13A) | VÁLVULA 21030151316       | 1        | 13A      |
| RT21030340116 (14)  | SUPLEMENTO 21030340116    | 1        | 14       |
| RT30700044000 (15)  | ANILLO TÓRICO 30700044000 | 1        | 15       |
| RT30700119000 (16)  | ANILLO TÓRICO 30700119000 | 1        | 16       |
| RT21440461101 (17A) | CUCHILLA 21440461101      | 1        | 17A      |
| RT30700013000 (18)  | ANILLO TÓRICO 30700013000 | 1        | 18       |
| RT21030350200 (19)  | CILINDRO 21030350200      | 1        | 19       |
| RT21030000001 (2)   | ARANDELA 21030000001      | 1        | 2        |
| RT21030470115 (20)  | AMORTIGUADOR 21030470115  | 1        | 20       |
| RT21030480101 (21)  | GUIA 21030480101          | 1        | 21       |
| RT208006025XX (22A) | CUERPO 208006025XX        | 1        | 22A      |
| RT30700185000 (23)  | ANILLO TÓRICO 30700185000 | 1        | 23       |
| RT207707X02XX (24)  | TAPA 207707X02XX          | 1        | 24       |
| RT30700079000 (25)  | ANILLO TÓRICO 30700079000 | 1        | 25       |
| RT30700081000 (26)  | ANILLO TÓRICO 30700081000 | 1        | 26       |
| RT20770900016 (27)  | VÁLVULA 20770900016       | 1        | 27       |
| RT30700002000 (28)  | ANILLO TÓRICO 30700002000 | 1        | 28       |
| RT30700024000 (29)  | ANILLO TÓRICO 30700024000 | 1        | 29       |
| RT30104200566 (3)   | TORNILLO 30104200566      | 6        | 3        |
| RT30700071000 (30)  | ANILLO TÓRICO 30700071000 | 1        | 30       |
| RT22520910074 (31)  | VÁLVULA 22520910074       | 1        | 31       |
| RT22520960001 (32)  | MUELLE 22520960001        | 1        | 32       |
| RT22520930016 (33)  | VÁLVULA 22520930016       | 1        | 33       |



| MAQUINA      | DESCRIPCION                    | DESDE FECHA | 17/02/2017 |
|--------------|--------------------------------|-------------|------------|
| QCGSF9040LM3 | GRAPADORA CORGRAP SF 90-40 LM3 | HASTA FECHA | 31/12/2099 |

| RECAMBIO            | DESCRIPCION           | CANTIDAD | POSICION |
|---------------------|-----------------------|----------|----------|
| RT34400001000 (34)  | CODO 34400001000      | 1        | 34       |
| RT30803240001 (35)  | PASADOR 30803240001   | 2        | 35       |
| RT21441362101 (36A) | CIERRE 21441362101    | 1        | 36A      |
| RT21441340166 (37)  | GUIA 21441340166      | 1        | 37       |
| RT30803160001 (39)  | PASADOR 30803160001   | 2        | 39       |
| RT21030010015 (4)   | DEFLECTOR 21030010015 | 1        | 4        |
| RT23331350066 (40)  | GUIA 23331350066      | 1        | 40       |
| RT30104220166 (41)  | TORNILLO 30104220166  | 1        | 41       |
| RT30604070001 (42)  | TUERCA 30604070001    | 2        | 42       |
| RT22532181001 (43A) | CUBIERTA 22532181001  | 1        | 43A      |
| RT30105080266 (44)  | TORNILLO 30105080266  | 4        | 44       |
| RT23332051001 (45A) | CARGADOR 23332051001  | 1        | 45A      |
| RT22532461001 (46A) | CUBIERTA 22532461001  | 1        | 46A      |
| RT22532290001 (47)  | MUELLE 22532290001    | 1        | 47       |
| RT22532270001 (48)  | SOPORTE 22532270001   | 1        | 48       |
| RT22012130101 (49)  | EMPUJADOR 22012130101 | 1        | 49       |
| RT210300201XX (5)   | CABEZAL 210300201XX   | 1        | 5        |
| RT20792360115 (50)  | CIERRE 20792360115    | 1        | 50       |
| RT20792290001 (51)  | MUELLE 20792290001    | 1        | 51       |
| RT21442110016 (52)  | RULINA 21442110016    | 1        | 52       |
| RT22532090000 (53)  | FLEJE 22532090000     | 1        | 53       |
| RT32104198012 (54)  | PASADOR 32104198012   | 2        | 54       |
| RT30900001001 (55)  | ARANDELA 30900001001  | 2        | 55       |
| RT30104040166 (56)  | TORNILLO 30104040166  | 1        | 56       |
| RT30104200166 (57)  | TORNILLO 30104200166  | 1        | 57       |
| RT21030130000 (6)   | JUNTA 21030130000     | 1        | 6        |
| RT21030190017 (7)   | TOPE 21030190017      | 1        | 7        |



| MAQUINA      | DESCRIPCION                    | DESDE FECHA | 17/02/2017 |
|--------------|--------------------------------|-------------|------------|
| QCGSF9040LM3 | GRAPADORA CORGRAP SF 90-40 LM3 | HASTA FECHA | 31/12/2099 |

| RECAMBIO          | DESCRIPCION               | CANTIDAD | POSICION |
|-------------------|---------------------------|----------|----------|
| RT30700123000 (8) | ANILLO TÓRICO 30700123000 | 1        | 8        |
| RT21030140016 (9) | VÁLVULA 21030140016       | 1        | 9        |