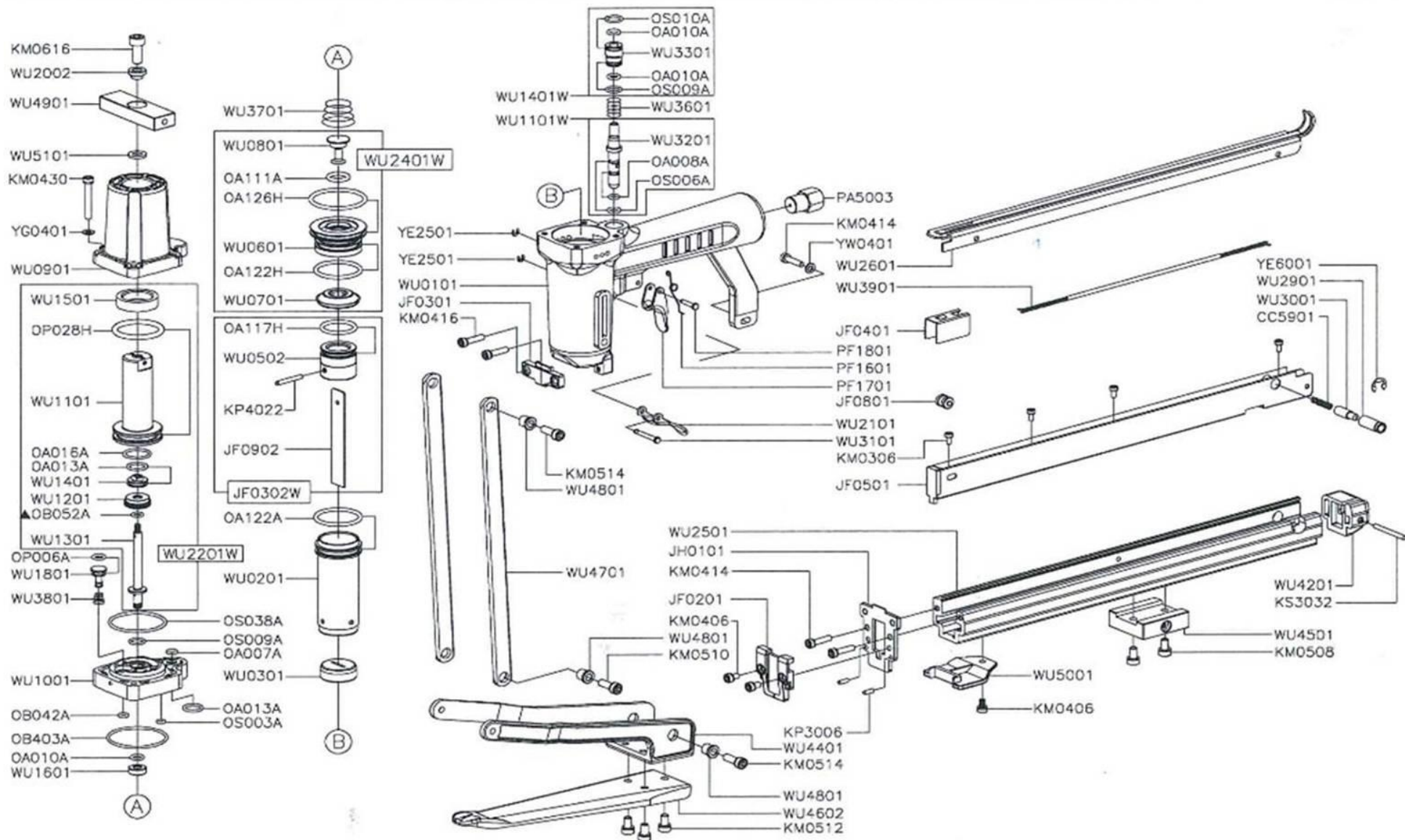


| MAQUINA | DESCRIPCION |
|-------------|-------------------------------|
| QCSP77925BJ | CORGRAP PLIER SP779/25BJ (65) |

| DESDE FECHA | 01/01/2013 |
|-------------|------------|
| HASTA FECHA | 31/12/2099 |





| MAQUINA | DESCRIPCION | DESDE FECHA | 01/01/2013 |
|--------------|-------------------------------|-------------|------------|
| QCGSP77925BJ | CORGRAP PLIER SP779/25BJ (65) | HASTA FECHA | 31/12/2099 |

| RECAMBIO | DESCRIPCION | CANTIDAD | POSICION |
|----------------------|-------------------------|----------|----------|
| RAPCC5901 (CC5901) | ANILLO TÓRICO CC5901 | 1 | CC5901 |
| RAPJF0201 (JF0201) | PLATO JF0201 | 1 | JF0201 |
| RAPJF0301 (JF0301) | PLATO JF0301 | 1 | JF0301 |
| RAPJF0302W (JF0302W) | CUCHILLA JF0302W | 1 | JF0302W |
| RAPJF0401 (JF0401) | EMPUJADOR JF0401 | 1 | JF0401 |
| RAPJF0501 (JF0501) | TORNILLO JF0501 | 1 | JF0501 |
| RAPJF0801 (JF0801) | TORNILLO JF0801 | 1 | JF0801 |
| RAPJF0302W (JF0902) | CUCHILLA JF0302W | 1 | JF0902 |
| RAPJH0101 (JH0101) | GUÍA JH0101 | 1 | JH0101 |
| RAPKM0306 (KM0306) | PERNO KM0306 | 4 | KM0306 |
| RAPKM0406 (KM0406) | TORNILLO KM0406 | 3 | KM0406 |
| RAPKM0414 (KM0414) | PERNO KM0414 | 3 | KM0414 |
| RAPKM0416 (KM0416) | TORNILLO KM0416 | 2 | KM0416 |
| RAPKM0430 (KM0430) | PERNO KM0430 | 4 | KM0430 |
| RAPKM0508 (KM0508) | PERNO KM0508 | 2 | KM0508 |
| RAPKM0510 (KM0510) | TORNILLO RAPKM0510 | 2 | KM0510 |
| RAPKM0512 (KM0512) | TORNILLO RAPKM0512 | 3 | KM0512 |
| RAPKM0514 (KM0514) | TORNILLO KM0514 | 4 | KM0514 |
| RAPKM0616 (KM0616) | TORNILLO RAPKM0616 | 1 | KM0616 |
| RAPKP3006 (KP3006) | PASADOR KP3006 | 2 | KP3006 |
| RAPKP4022 (KP4022) | PASADOR KP4022 | 1 | KP4022 |
| RAPKS3032 (KS3032) | MUELLE KS3032 | 1 | KS3032 |
| RAPOA007A (OA007A) | ANILLO TÓRICO OA007A | 1 | OA007A |
| RAPOA008A (OA008A) | ANILLO TÓRICO OA008A | 1 | OA008A |
| RAPOA010A (OA010A) | ANILLO TÓRICO OA010A | 3 | OA010A |
| RAPOA013A (OA013A) | ANILLO TÓRICO OA013A | 2 | OA013A |
| RAPOA016A (OA016A) | ANILLO TÓRICO RAPOA016A | 1 | OA016A |



| MAQUINA | DESCRIPCION | DESDE FECHA | 01/01/2013 |
|--------------|-------------------------------|-------------|------------|
| QCGSP77925BJ | CORGRAP PLIER SP779/25BJ (65) | HASTA FECHA | 31/12/2099 |

| RECAMBIO | DESCRIPCION | CANTIDAD | POSICION |
|--------------------|-------------------------|----------|----------|
| RAPOA111A (OA111A) | ANILLO TÓRICO OA111A | 1 | OA111A |
| RAPOA117H (OA117H) | ANILLO TÓRICO OA117H | 1 | OA117H |
| RAPOA122A (OA122A) | ANILLO TÓRICO OA122A | 1 | OA122A |
| RAPOA122H (OA122H) | ANILLO TÓRICO OA122H | 1 | OA122H |
| RAPOA126H (OA126H) | ANILLO TÓRICO OA126H | 1 | OA126H |
| RAPOB042A (OB042A) | ANILLO TÓRICO OB042A | 1 | OB042A |
| RAPOB052A (OB052A) | ANILLO TÓRICO OB052A | 1 | OB052A |
| RAPOB403A (OB403A) | ANILLO TÓRICO OB403A | 1 | OB403A |
| RAPOP006A (OP006A) | ANILLO TÓRICO RAPOP006A | 1 | OP006A |
| RAPOP028H (OP028H) | ANILLO TÓRICO OP028H | 1 | OP028H |
| RAPOS003A (OS003A) | ANILLO TÓRICO OS003A | 1 | OS003A |
| RAPOS006A (OS006A) | ANILLO TÓRICO OS006A | 1 | OS006A |
| RAPOS009A (OS009A) | ANILLO TÓRICO OS009A | 2 | OS009A |
| RAPOS010A (OS010A) | ANILLO TÓRICO OS010A | 1 | OS010A |
| RAPOS038A (OS038A) | ANILLO TÓRICO OS038A | 1 | OS038A |
| RAPPA5003 (PA5003) | REGULADOR PA5003 | 1 | PA5003 |
| RAPPF1601 (PF1601) | MUELLE PF1601 | 1 | PF1601 |
| RAPPF1701 (PF1701) | SEGURO PF1701 | 1 | PF1701 |
| RAPPF1801 (PF1801) | PASADOR PF1801 | 1 | PF1801 |
| RAPWU0101 (WU0101) | CUERPO WU0101 | 1 | WU0101 |
| RAPWU0201 (WU0201) | CILINDRO WU0201 | 1 | WU0201 |
| RAPWU0301 (WU0301) | AMORTIGUADOR WU0301 | 1 | WU0301 |
| RAPWU0502 (WU0502) | PISTÓN WU0502 | 1 | WU0502 |
| RAPWU0601 (WU0601) | VÁLVULA WU0601 | 1 | WU0601 |
| RAPWU0701 (WU0701) | JUNTA WU0701 | 1 | WU0701 |
| RAPWU0801 (WU0801) | VÁLVULA WU0801 | 1 | WU0801 |
| RAPWU0901 (WU0901) | JUNTA WU0901 | 1 | WU0901 |



| MAQUINA | DESCRIPCION | DESDE FECHA | 01/01/2013 |
|--------------|-------------------------------|-------------|------------|
| QCGSP77925BJ | CORGRAP PLIER SP779/25BJ (65) | HASTA FECHA | 31/12/2099 |

| RECAMBIO | DESCRIPCION | CANTIDAD | POSICION |
|----------------------|---------------------|----------|----------|
| RAPWU1001 (WU1001) | JUNTA WU1001 | 1 | WU1001 |
| RAPWU1101 (WU1101) | ARANDELA WU1101 | 1 | WU1101 |
| RAPWU1101W (WU1101W) | GATILLO WU1101W | 1 | WU1101W |
| RAPWU1201 (WU1201) | TUERCA WU1201 | 1 | WU1201 |
| RAPWU1301 (WU1301) | EJE WU1301 | 1 | WU1301 |
| RAPWU1401 (WU1401) | PISTÓN WU1401 | 1 | WU1401 |
| RAPWU1401W (WU1401W) | JUNTA WU1401W | 1 | WU1401W |
| RAPWU1501 (WU1501) | AMORTIGUADOR WU1501 | 1 | WU1501 |
| RAPWU1601 (WU1601) | TORNILLO WU1601 | 1 | WU1601 |
| RAPWU1801 (WU1801) | VÁLVULA WU1801 | 1 | WU1801 |
| RAPWU2002 (WU2002) | ARANDELA WU2002 | 1 | WU2002 |
| RAPWU2101 (WU2101) | GATILLO WU2101 | 1 | WU2101 |
| RAPWU2201W (WU2201W) | VÁLVULA WU2201W | 1 | WU2201W |
| RAPWU2401W (WU2401W) | SOPORTE WU2401W | 1 | WU2401W |
| RAPWU2501 (WU2501) | CARGADOR WU2501 | 1 | WU2501 |
| RAPWU2601 (WU2601) | TAPA WU2601 | 1 | WU2601 |
| RAPWU2901 (WU2901) | SOPORTE WU2901 | 1 | WU2901 |
| RAPWU3001 (WU3001) | PESTILLO WU3001 | 1 | WU3001 |
| RAPWU3101 (WU3101) | PASADOR WU3101 | 1 | WU3101 |
| RAPWU3201 (WU3201) | VÁLVULA WU3201 | 1 | WU3201 |
| RAPWU3301 (WU3301) | SOPORTE WU3301 | 1 | WU3301 |
| RAPWU3601 (WU3601) | MUELLE WU3601 | 1 | WU3601 |
| RAPWU3701 (WU3701) | MUELLE WU3701 | 1 | WU3701 |
| RAPWU3801 (WU3801) | MUELLE WU3801 | 1 | WU3801 |
| RAPWU3901 (WU3901) | MUELLE WU3901 | 1 | WU3901 |
| RAPWU4201 (WU4201) | TAPA WU4201 | 1 | WU4201 |
| RAPWU4401 (WU4401) | SOPORTE WU4401 | 1 | WU4401 |



| MAQUINA | DESCRIPCION | DESDE FECHA | 01/01/2013 |
|----------------|-------------------------------|--------------------|-------------------|
| QCGSP77925BJ | CORGRAP PLIER SP779/25BJ (65) | HASTA FECHA | 31/12/2099 |

| RECAMBIO | DESCRIPCION | CANTIDAD | POSICION |
|--------------------|--------------------|-----------------|-----------------|
| RAPWU4501 (WU4501) | SOPORTE WU4501 | 1 | WU4501 |
| RAPWU4602 (WU4602) | LENGUA WU4602 | 1 | WU4602 |
| RAPWU4701 (WU4701) | GUÍA WU4701 | 2 | WU4701 |
| RAPWU4801 (WU4801) | TAPA WU4801 | 6 | WU4801 |
| RAPWU4901 (WU4901) | SOPORTE WU4901 | 1 | WU4901 |
| RAPWU5001 (WU5001) | PROTECTOR WU5001 | 1 | WU5001 |
| RAPWU5101 (WU5101) | ARANDELA WU5101 | 1 | WU5101 |
| RAPYE2501 (YE2501) | CER-CLIP YE2501 | 2 | YE2501 |
| RAPYE6001 (YE6001) | JUNTA YE6001 | 1 | YE6001 |
| RAPYG0401 (YG0401) | ARANDELA YG0401 | 4 | YG0401 |
| RAPYW0401 (YW0401) | ARANDELA YW0401 | 1 | YW0401 |